



The LS411LED is a compact, adjustable luminaire featuring an integral line voltage driver and a wide range of adjustability for direct and indirect lighting applications. The epoxy coated, marine grade aluminum construction ensures a long service life, even in harsh environments.

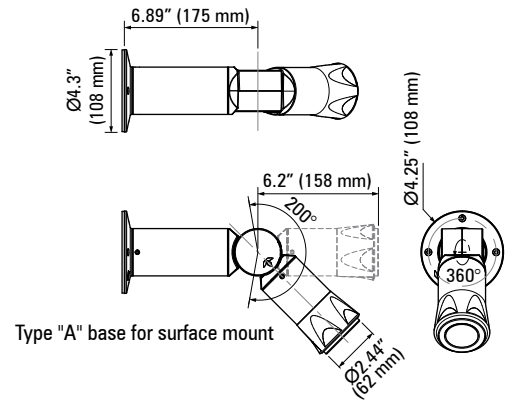
## Specifications

<b>Source</b>	9 W or 15 W LED <input type="checkbox"/> White (4 000 K typical) <input type="checkbox"/> Warm white (3 000 K typical) <input type="checkbox"/> Blue (470 nm) <i>Other colors by request</i> <input type="checkbox"/> RGB (12 W LED only)
<b>Control Options</b>	PWM <i>(0-10 V → PWM and DMX → PWM conversion available)</i>
<b>IP Rating</b>	IP67
<b>Construction</b>	LM20 die-cast marine grade powder coated aluminum
<b>Installation Types</b>	Surface mount
<b>Ambient Operating Temperature</b>	-4 °F to 122 °F (-20 °C to +50 °C)
<b>Surface Temperature</b>	≤ 149 °F (≤ 65 °C) <b>HumanTouch™</b> compliant
<b>Photometrics</b>	Refer to <a href="http://www.lumascap.com">www.lumascap.com</a>

Any luminaire can become hot - take care with appropriate use and placement



LS411LED Omnio Mini



Type "A" base for surface mount

LS411LED

### SOURCE

Description	Wattage	Color	Code	
LED	9 W	White (4 000 K typ.)	<b>09W4</b>	
		Warm white (3 000 K typ.)	<b>09H6</b>	
		Blue (470 nm)	<b>09B4</b>	
	12 W	RGB	<b>12M4</b>	
		15 W	White (4 000 K typ.)	<b>15W4</b>
			Warm white (3 000 K typ.)	<b>15H6</b>
		Blue (470 nm)	<b>15B4</b>	

### OPTICAL SYSTEM

Beam	Code
Narrow Medium 25°	<b>NM</b>
Medium 30°	<b>ME<sup>(1)</sup></b>
Linear 20° x 40°	<b>LN</b>

<sup>(1)</sup> Recommended for best RGB color mixing.

### SHIELDING

Description	Code
Flush	<b>1</b>
Snoot	<b>2</b>

### MOUNTING

Description	Code
Surface mount	<b>A</b>
Pole clamp	<b>B<sup>(1)</sup></b>
Signage system	<b>B<sup>(2)</sup></b>

<sup>(1)</sup> Requires LS6023-1 or LS6023-2 - order separately.  
<sup>(2)</sup> Requires LS6025 - order separately.

### LUMINAIRE INPUT VOLTAGE

Voltage	Code
100-240 V AC, 50/60 Hz	<b>01<sup>(1)</sup></b>
24 V DC	<b>07<sup>(1)(2)</sup></b>
PWM Dimmable Driver, 24 V DC	<b>27<sup>(2)</sup></b>

<sup>(1)</sup> Not available for RGB.  
<sup>(2)</sup> Requires remote power supply.

### FINISH

Description	Material	Code
Black, powder coated	Aluminum	<b>BL</b>
White, powder coated	Aluminum	<b>WT</b>
Silver, powder coated	Aluminum	<b>SL</b>

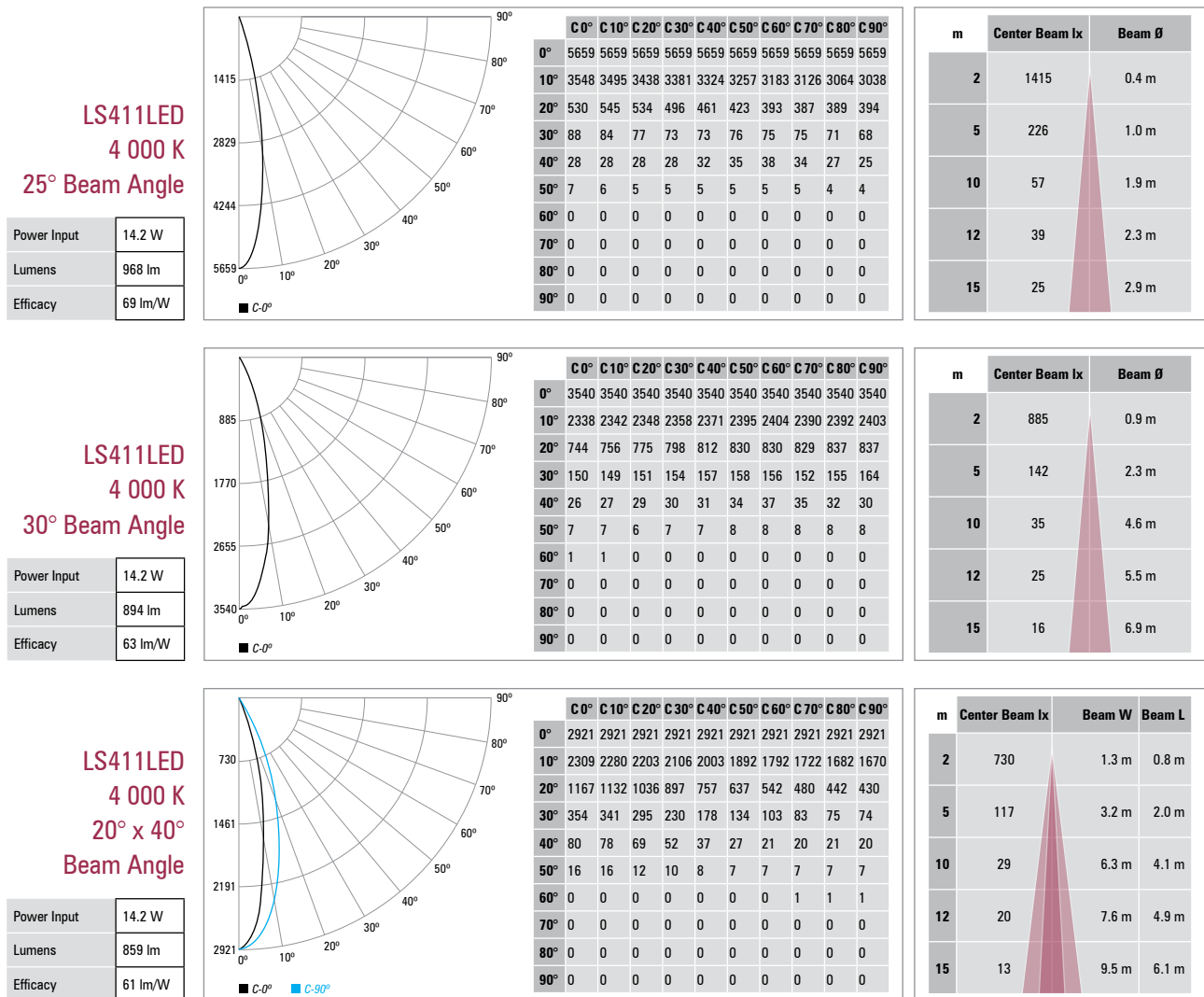
Photometrics

Photometric data is based on test results from a NIST traceable testing lab. IES data is available at [www.lumascap.com](http://www.lumascap.com).

Note: No depreciation factor is applied to the data shown.

Polar Candela Distribution

Illuminance at a Distance



## LS6141 Tree Ring

Compatible with LS722LED and LS411LED, the LS6141 Tree Ring can hold up to 4 luminaires and is suitable for wet location installations. A hinged design allows for easy installation and enables ring suspension at the optimum height for illuminating the tree canopy. This versatile design also allows luminaires to be installed as a downlight to illuminate surrounding walkways to complement any outdoor landscape design.

Constructed of high-grade aluminum, the tree ring is powdercoat finished to ensure a long service life. Available in three mounting options, the tree bracket is 2" wide and suited for trees from 7" - 25" in diameter.

### Specifications

<b>Compatible Luminaires</b>	LS722LED LS411LED ( <i>Low-voltage only</i> )
<b>Approved Use</b>	Suitable for wet locations
<b>Construction</b>	High-grade aluminum
<b>Finishes</b>	Black, powder coated Weathered copper, powder coated

*Any luminaire can become hot - take care with appropriate use and placement*



**LS6141-30-4-CWC** Tree Ring

RING DIMENSIONS			FIXTURE LOCATIONS		FINISH		
Outer Diameter	Tree Diameter Range	Code	Mounting Positions	Code	Description	Material	Code
24"	7" - 13"	<b>24</b>	2	<b>2</b>	Black, powder coated	Aluminum	<b>CB</b>
30"	13" - 19"	<b>30</b>	3	<b>3</b>	Weathered copper, powder coated	Aluminum	<b>CWC</b>
36"	19" - 25"	<b>36</b>	4	<b>4</b>			