

# INSTALLATION INSTRUCTIONS

SUBMERSIBLE

MODEL: LS375LED

INPUT VOLTAGE: 12-15 V AC 60 Hz

Do not install in swimming pools or spas



## LS375LED (9W)

Warranty void if not installed per instructions and local electrical code

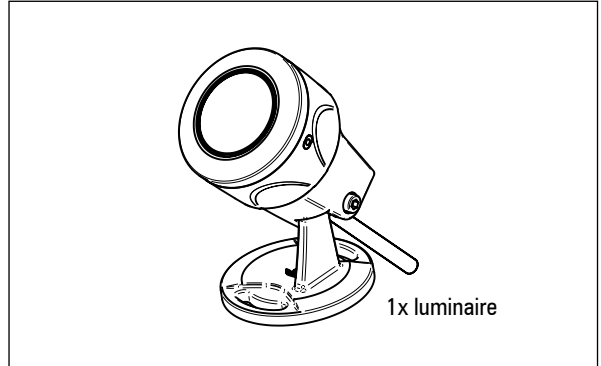
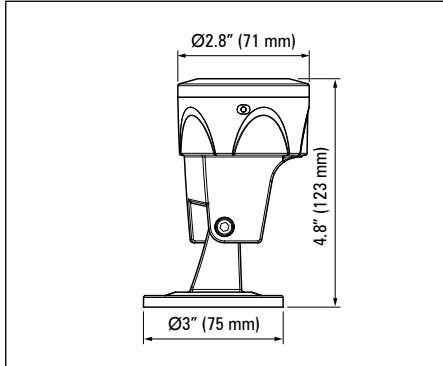
Note: Fixture uses intelligent driver. Always leave on for 20 seconds unless programming.

### WARNING

It is strongly recommended to use Lumascope transformer

Opening luminaire will void warranty

Install in accordance with National Electric Code, ANSI/NFPA 70 or the Canadian Electrical Code, Part I (CEC), CSA C22.1

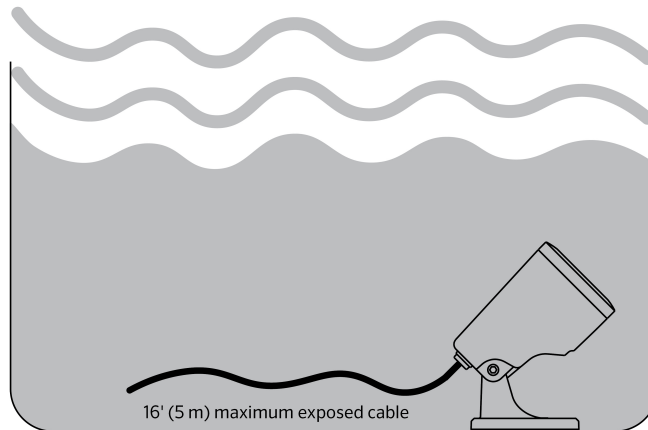
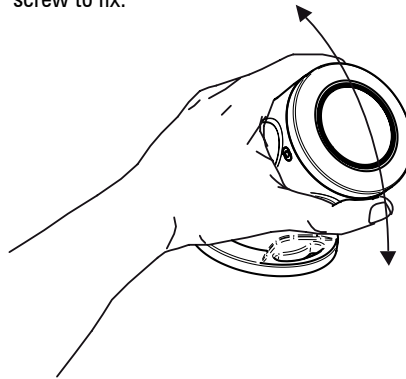


1. Connect luminaire to required power supply / controller.



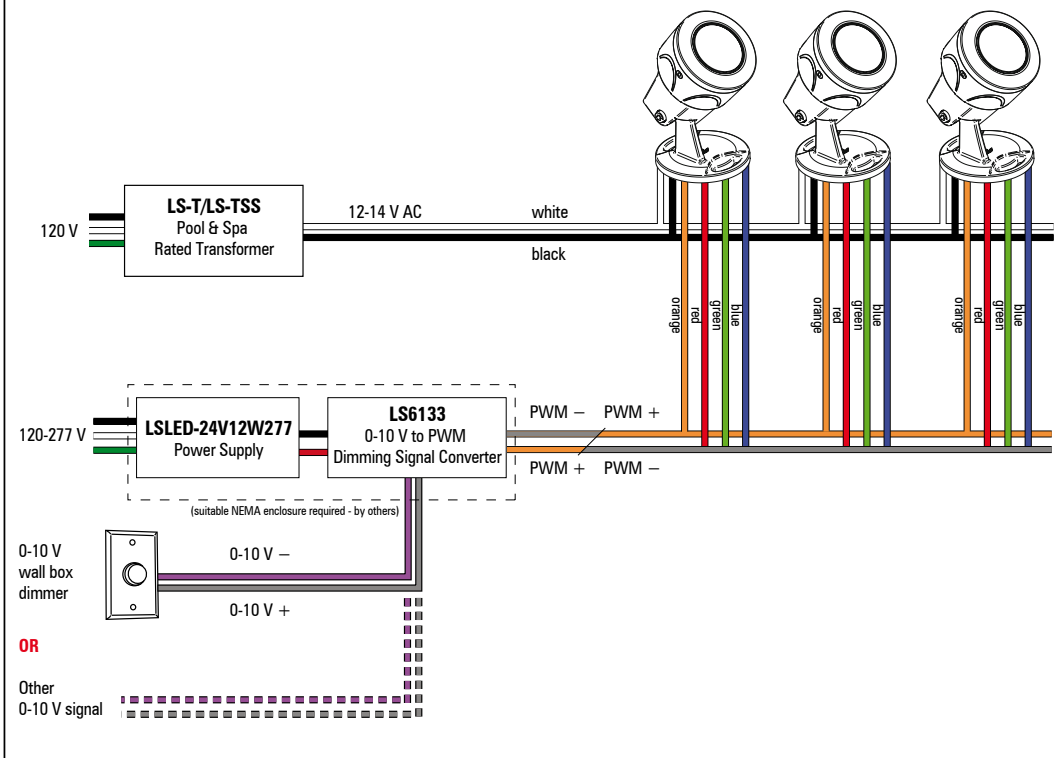
Use 'magnetic' transformers only. The use of an 'AC electronic' transformer may damage the luminaire.

2. Aim luminaire to required angle and tighten screw to fix.



# Wiring for Dimming Installations

Low Voltage Submersible LED Luminaire with d5 Driver on 12-14 V AC Circuit  
Please note: The use of a GFCI may be required. Consult local wiring rules.

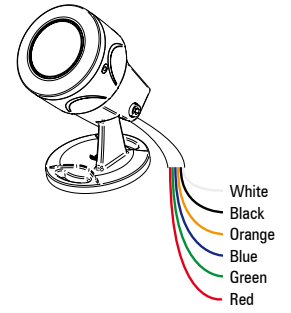


NOTE: The above diagram is intended to show electrical pathways between luminaires and ancillary devices. This diagram is not intended to show type or color of cord/wire, wire gauge or approved use of the cord/wire supplied with luminaires.

Consult the luminaire-specific cutsheet or the factory for detailed specifications.

**IMPORTANT:** For instructions on how to fine tune the brightness of the luminaire, refer to instruction sheet IN0059US "How to adjust the brightness for your d5 equipped luminaire". Please note, this capability only applies for luminaires not connected to any other control signal.

# Wiring Polarity



Cord 20 gauge (0.5 mm<sup>2</sup>)

## Single Colour Dimming

white	V +
black	V -
orange	PWM +
blue	PWM -
green	
red	

## RGB Integral Driver

white	V +
black	V -
orange	PWM Common +
blue	PWM Blue -
green	PWM Green -
red	PWM Red -