

Product warranty is void if product is not installed as per installation instructions and in compliance with all local and provincial codes.



WARNING



HOT SURFACE
DO NOT TOUCH



RISK OF SHOCK

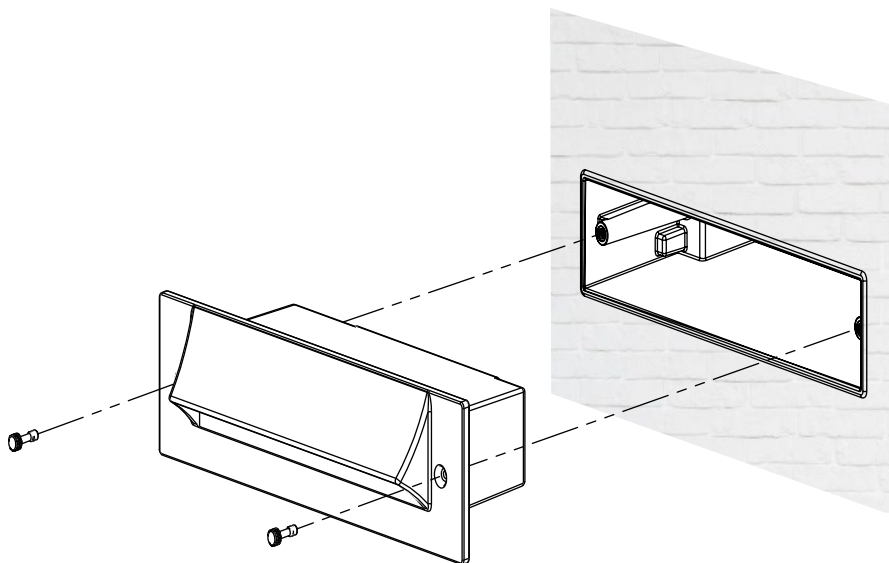
READ ALL SAFETY INSTRUCTIONS FIRST

- › Follow instructions carefully; failure to do so will void warranty.
- › Qualified personnel must install product in a manner consistent with its intended use and in compliance with all local laws and provincial codes.
- › Follow all product label information and installation instructions.
- › Qualified personnel must perform all servicing of this product.
- › power at fuse or circuit breaker before installation or servicing.
- › Never make connections whilst the power is connected.
- › Do not make modifications or alter product.
- › Keep luminaire clean and free of debris.
- › Connectors are to be kept clean and dry at all times.
- › The use of damaged components may cause an unsafe condition and void product warranty.
- › Do not block light emanating from product in whole or part.
- › Never operate the fixture with a missing or damaged lens. Lens must be cleaned on a regular basis.
- › Entire fixture may become extremely hot. Do not touch hot lens or fixture body. Do not touch the light source at any time.
- › Keep all gaskets and sealing surfaces clean during installation and servicing; failure to do this may lead to premature failure of the product.

Products and specifications are subject to change without notice.

Product Overview

- > Suitable for mounting within 4' (1.2 m) off the ground.
- > Vapor barrier must be suitable for 194 °F (90° C)
- > For use in non-fire rated installations only
- > Not for use in environmental air handling spaces



COMPONENT LIST

A	Mounting Screws
B	Faceplate
C	Housing
D	Install Sleeve
	Mounting Brackets
	Sleeve Cover

Tools Required

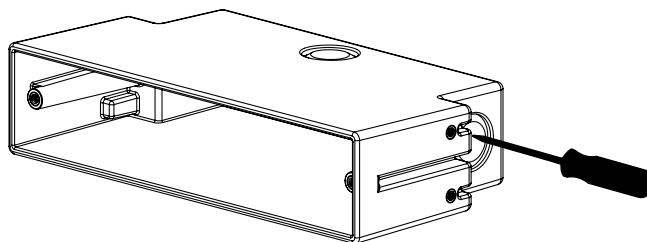
- > 7/64" Allen wrench (installation)
- > #3 Phillips screwdriver (Installation)
- > #1 & #2 Phillips screwdriver (servicing)

Products and specifications are subject to change without notice.

Installation Instructions

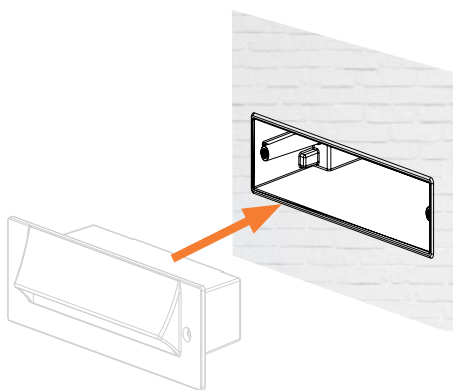
Step 1

Use a tool of choice to forcefully remove the knockout.

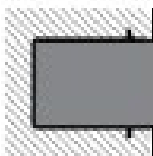


Step 2

Install construction sleeve ("sleeve") inside wall using provided L-brackets, mounting to structural supports (e.g. framing studs). L-brackets can be arranged in multiple directions.



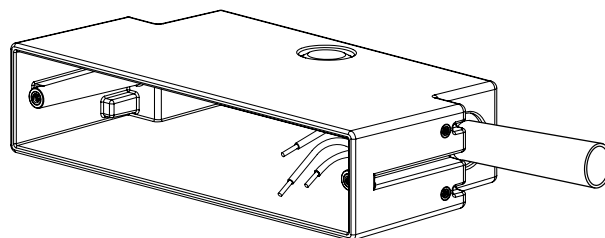
Align edge of the mounting kit with the surface of the wall and secure box in place.



Step 3 & 4

Run conduit and wiring (code dependent) to the ideal knockout(s) in the construction sleeve.

Connect the conduit/wire runs to the sleeve with couplings of choice.

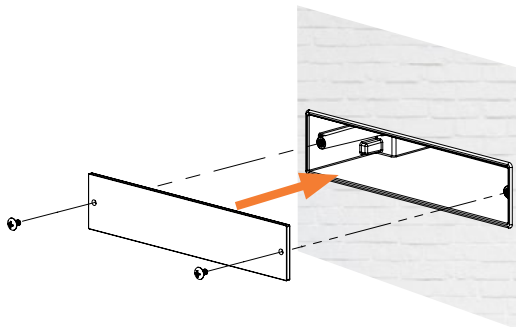


Products and specifications are subject to change without notice.

Installation Instructions (cont'd)

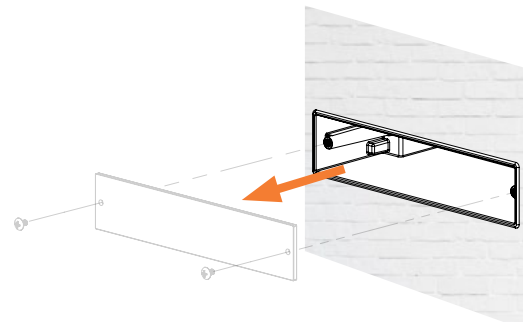
Step 5

Attach sleeve cover to protect the interior during wall finishing using the fasteners provided.



Step 6

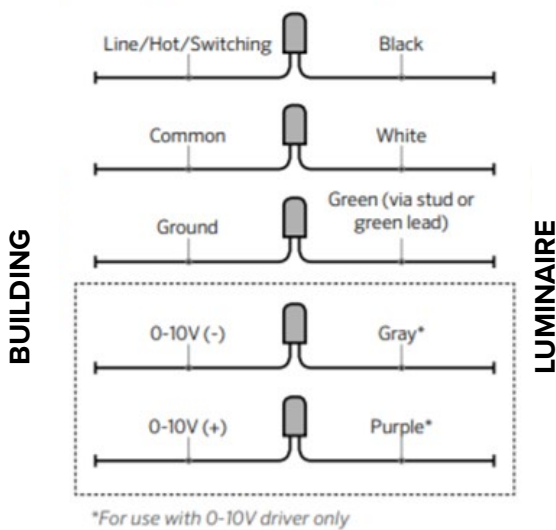
Finish wall.
Remove sleeve cover to resume installation.



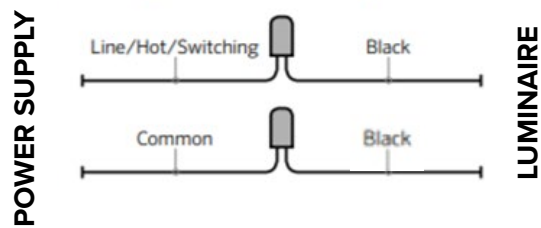
Step 7

Connect wiring from housing assembly to the incoming power lines using the wiring diagram (see previous section) and approved wire connectors.

Wiring Chart (120-277 V, 50/60 Hz)



Wiring Chart (12 Vac)

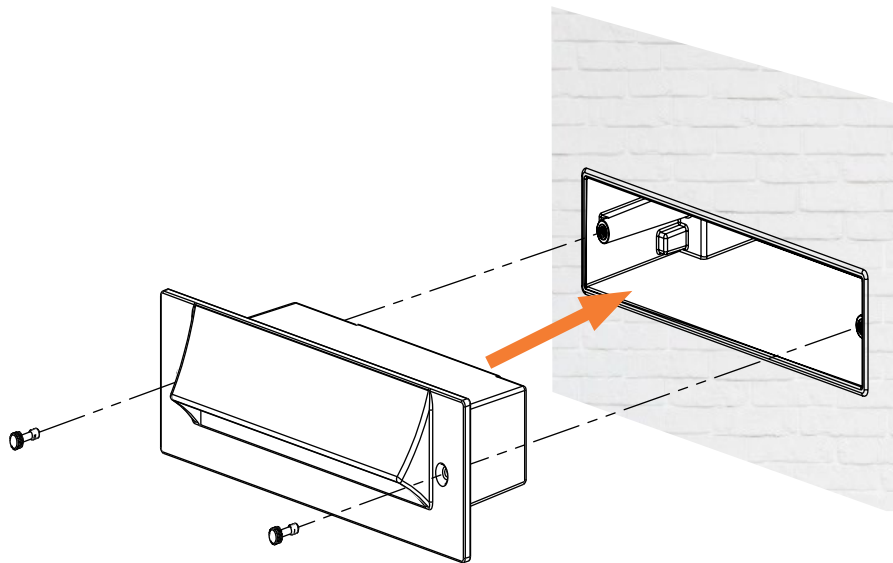


Products and specifications are subject to change without notice.

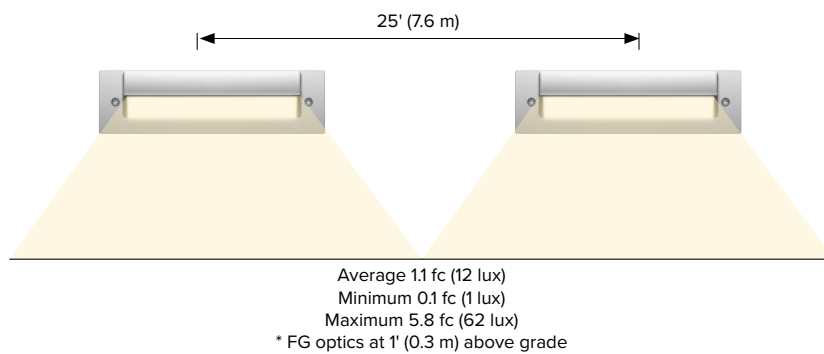
Installation Instructions (cont'd)

Step 8

Insert complete housing assembly into construction sleeve Attach faceplate to housing using the two provided exterior screws.



Spacing



Products and specifications are subject to change without notice.