

The LS6125-2 translates standard 0-10V control signal to PWM (pulse width modulation) to control a range of Lumascape's PWM compatible LED luminaries. Connect to any compatible 0-10V dimmer to achieve dimming.

Electrical

Input Voltage	100-240V, 50/60Hz
Rating	20W / 0.83A
Output	24V
Output Circuits	1

Control

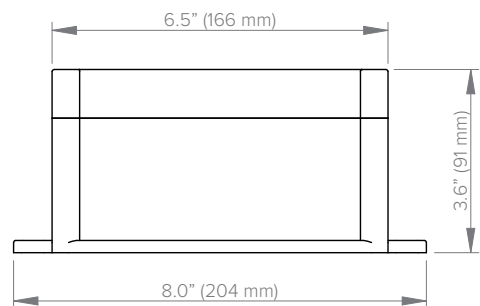
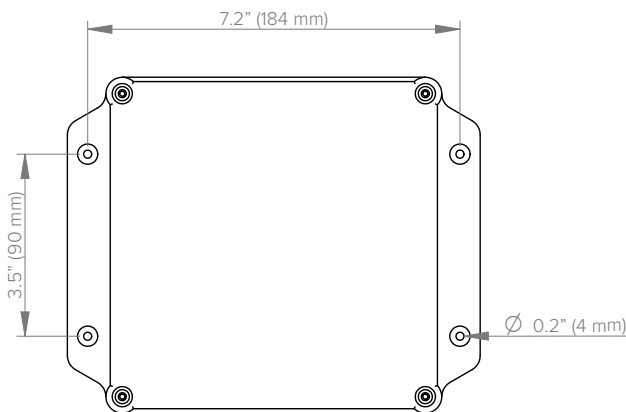
Dimming Options	0-10V
-----------------	-------

Physical

Weight	1.1lb (0.5kg)
--------	---------------

Certification & Compliance

IP Rating	IP65
Certifications	CE



Network Topology - Low Voltage

