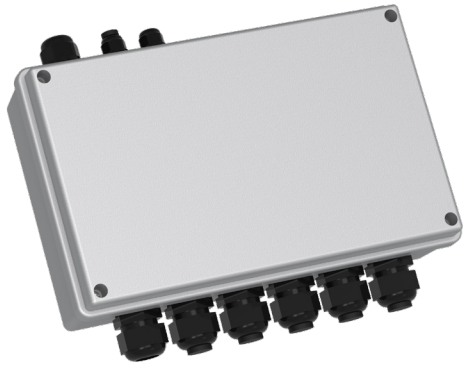


DMX to PWM Translator



The LS67250 translates standard DMX-512 digital control signals to PWM (pulse width modulation) to control a range of Lumascape's PWM compatible LED luminaries. The LS67250 supports 18 channels. Connect to any compatible DMX digital controller to achieve dimming and various colour changing patterns.



Electrical

Input Voltage	24 V DC or 12 V AC, 50/60 Hz
Rating	25W max
Output	24 V DC PWM-200 Hz
Channels	18
Ambient Operating Temperature	-30 °C to 50 °C

Control

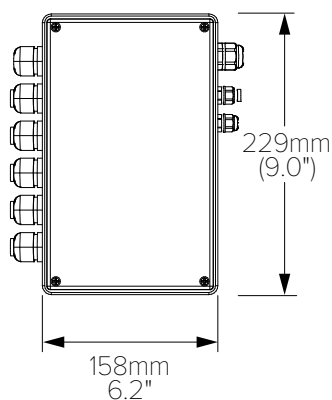
Dimming Options	DMX 512 (optically isolated)
------------------------	------------------------------

Certification

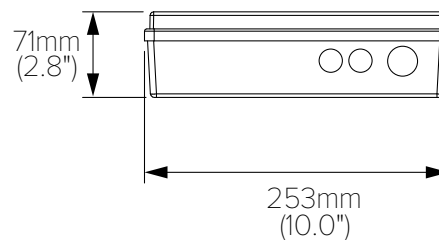
IP Rating	IP65
Certifications	CE, RCM

Technical Drawings

Top View



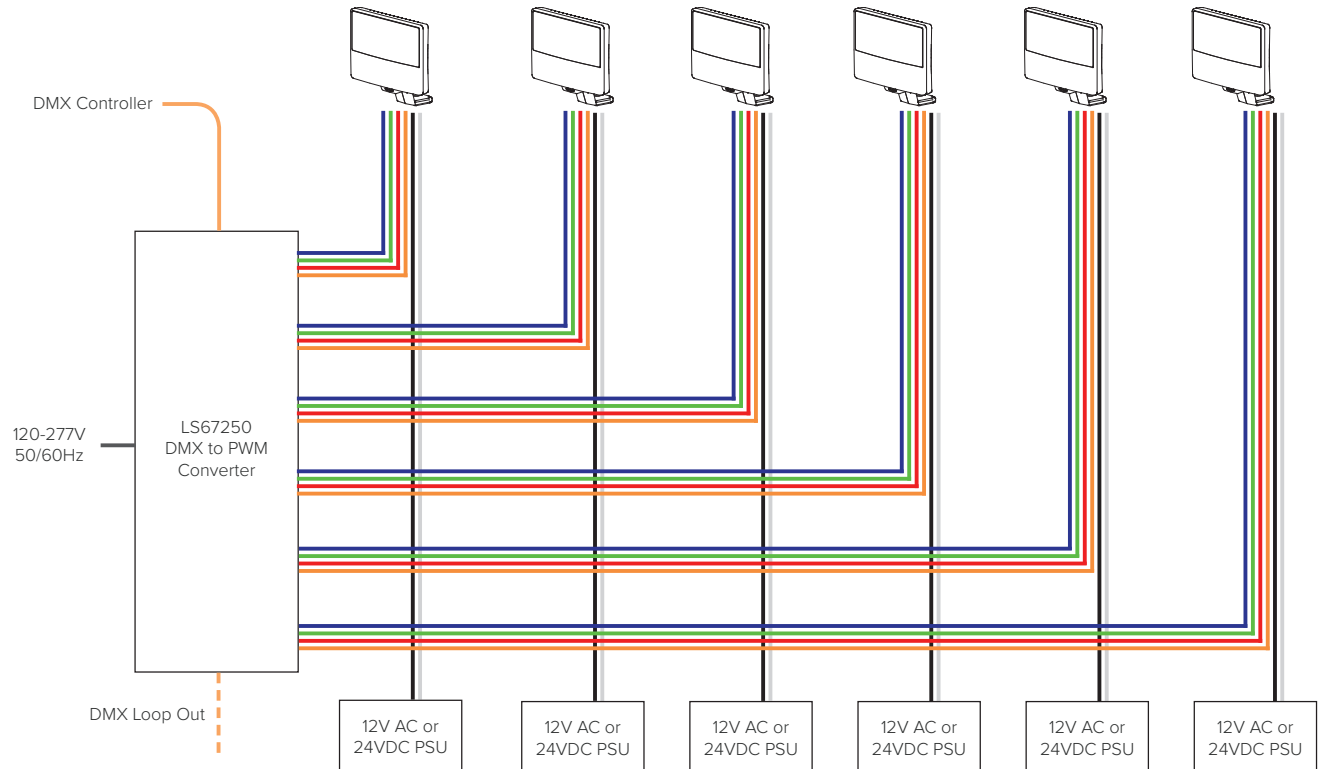
Side View



Products and specifications are subject to change without notice.

DMX to PWM Translator

Network Topology - Low Voltage



- Up to six luminaires addressed and controlled individually
- All luminaires have individual, integral drivers
- Luminaires powered by individual power supplies

Products and specifications are subject to change without notice.